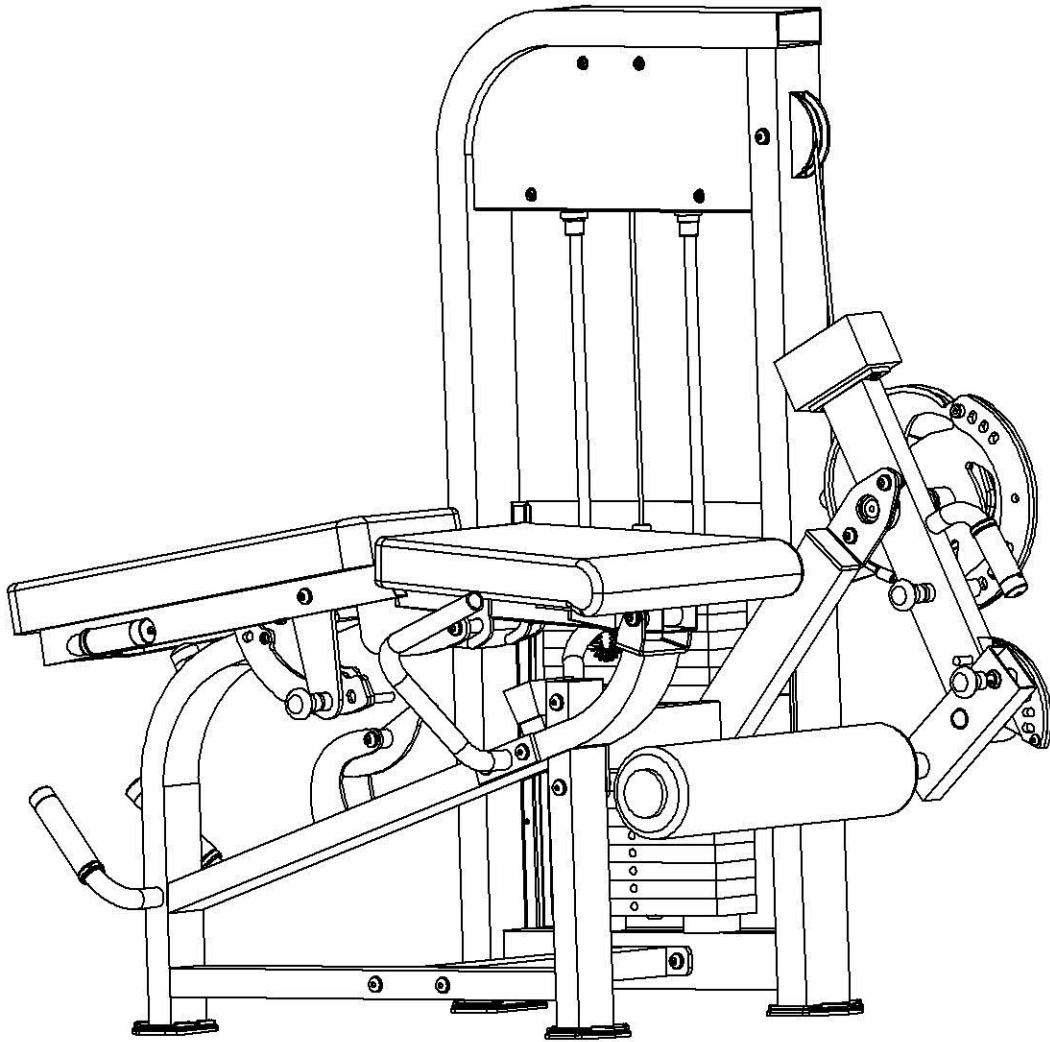


# ASSEMBLY INSTRUCTION



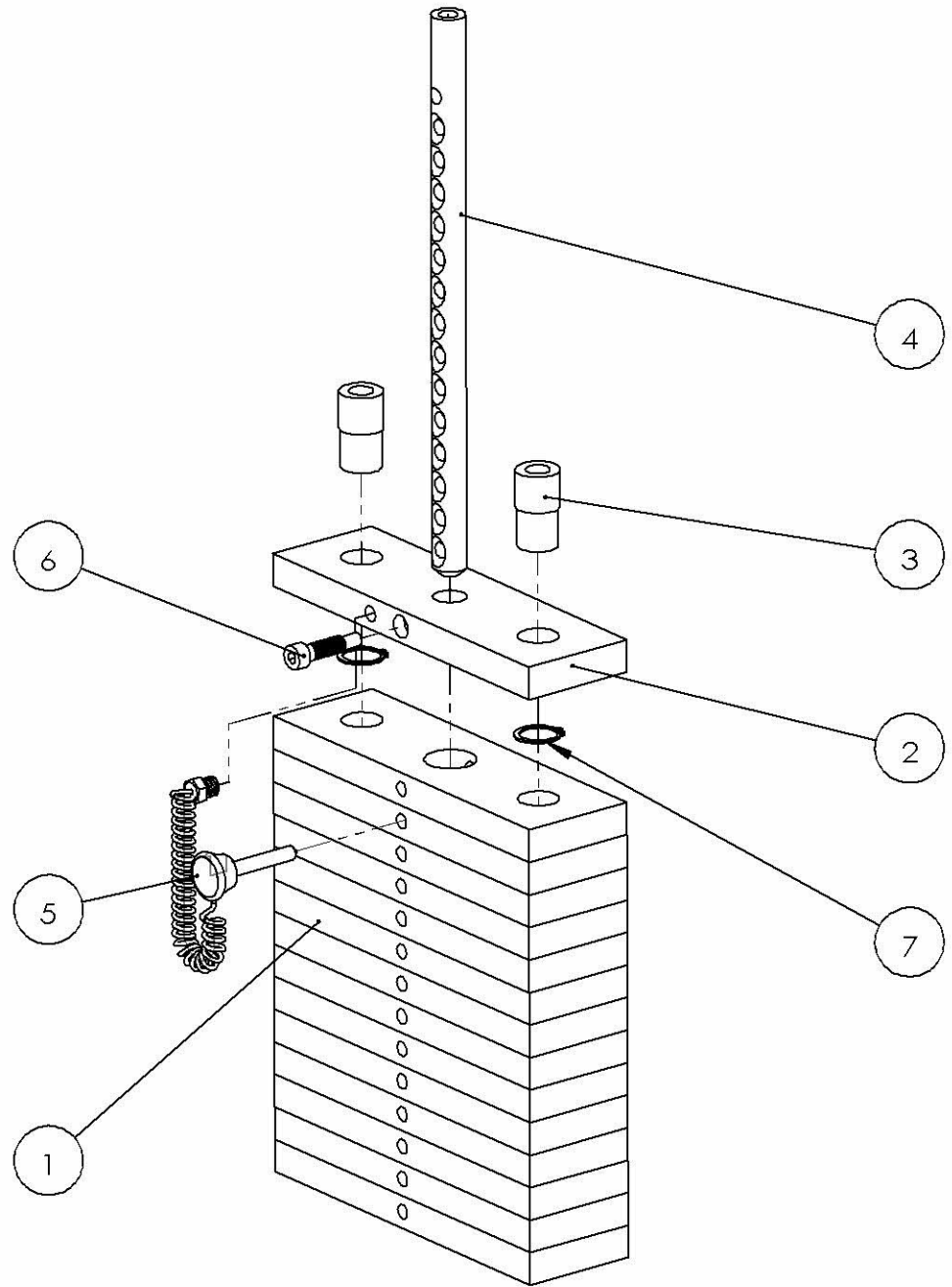
PF-1007

LEG CUEL/EXTENSION

# Contents

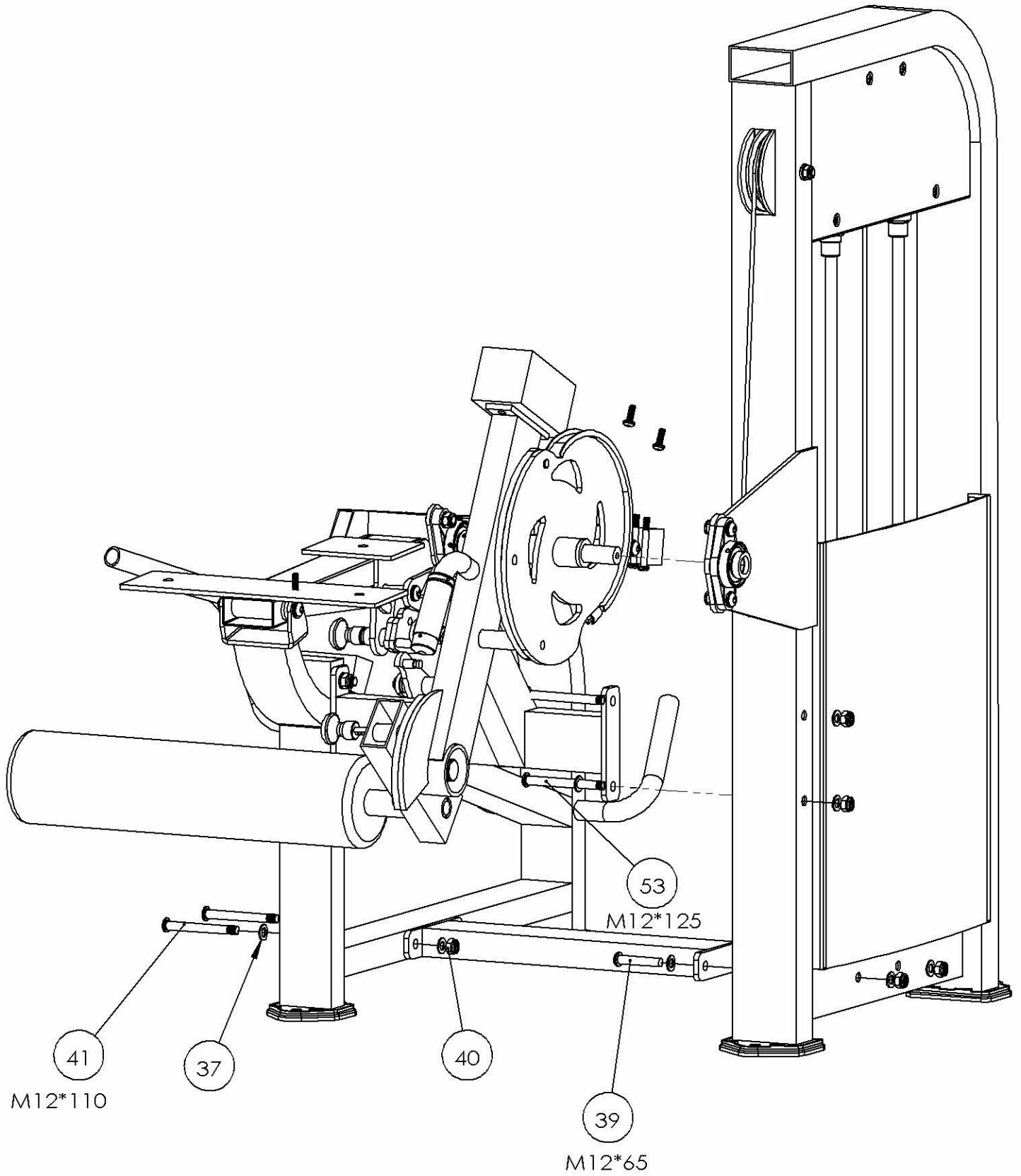
PARTS LIST	Page 3
Main Frame and Side Frame Assembly	Page4
Arm Assembly Arm Assembly	Page5
Side Frame Assembly	Page6
Main Frame Assembly	Page7
Weight Stack Assembly	Page8
Image	Page9

# Weight Stack Assembly

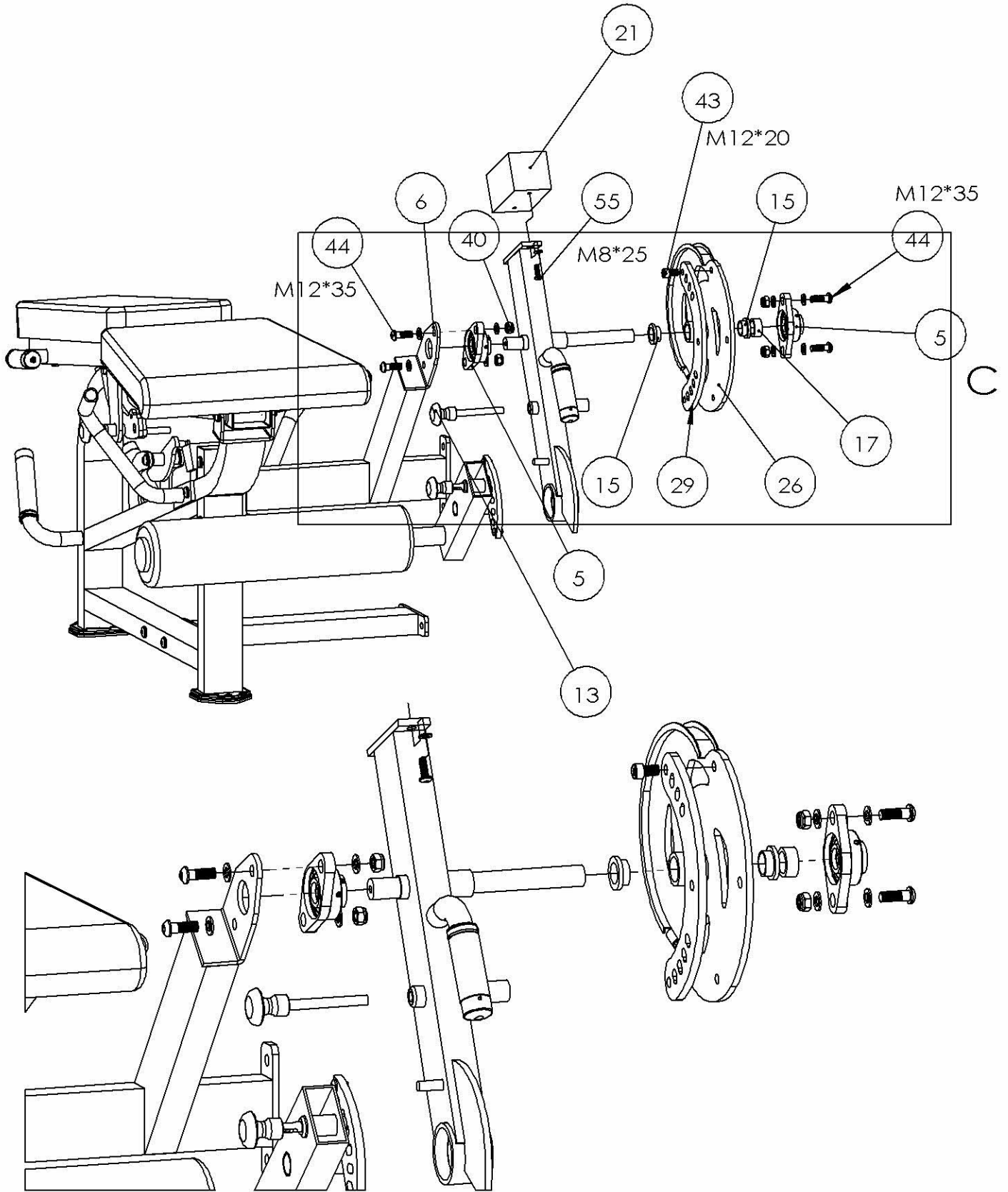


ITEM NO.	Description	QTY
1	Underside Weight Plate	14
2	Top Weight Plate	1
3	Guide Rod Sleeve	2
4	15 Holes Pole	1
5	Adjustable Bolt	1
6	Standing Bolt for The Top Weight Plate	1
7	φ 30 Shaft Clip	2

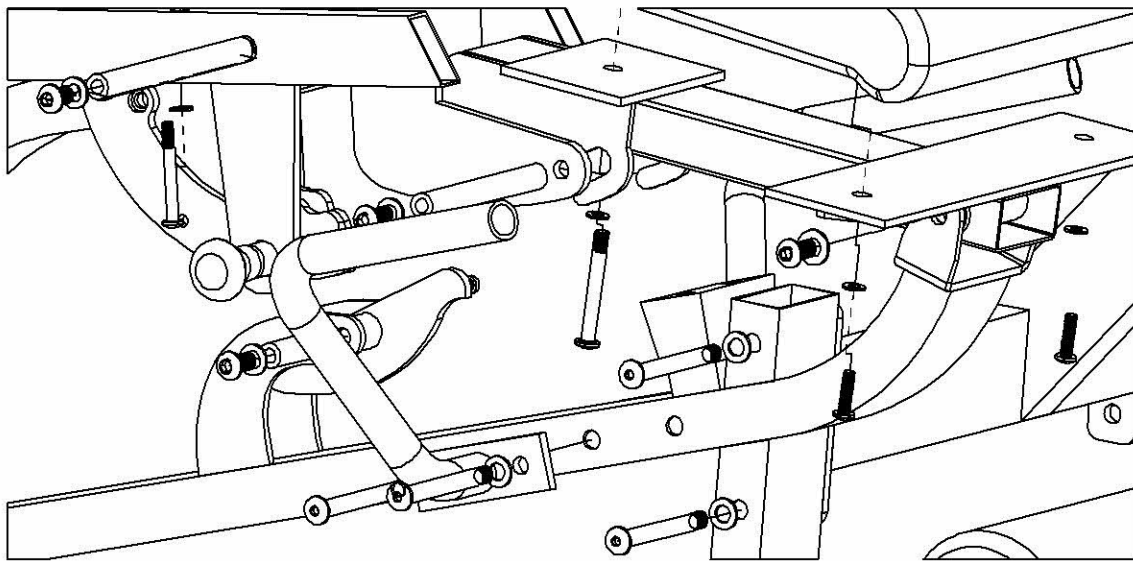
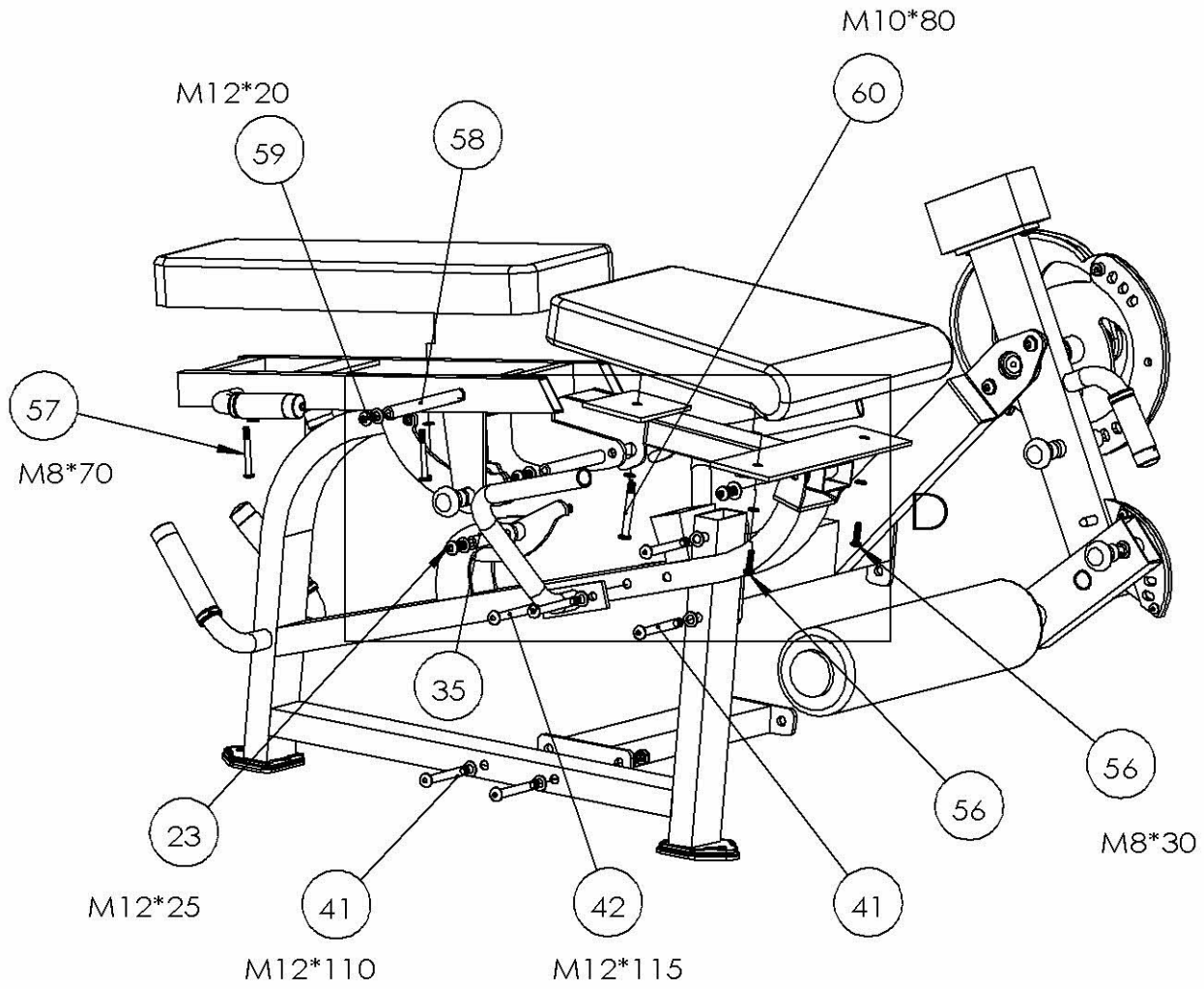
# Main Frame And Side Frame Assemble



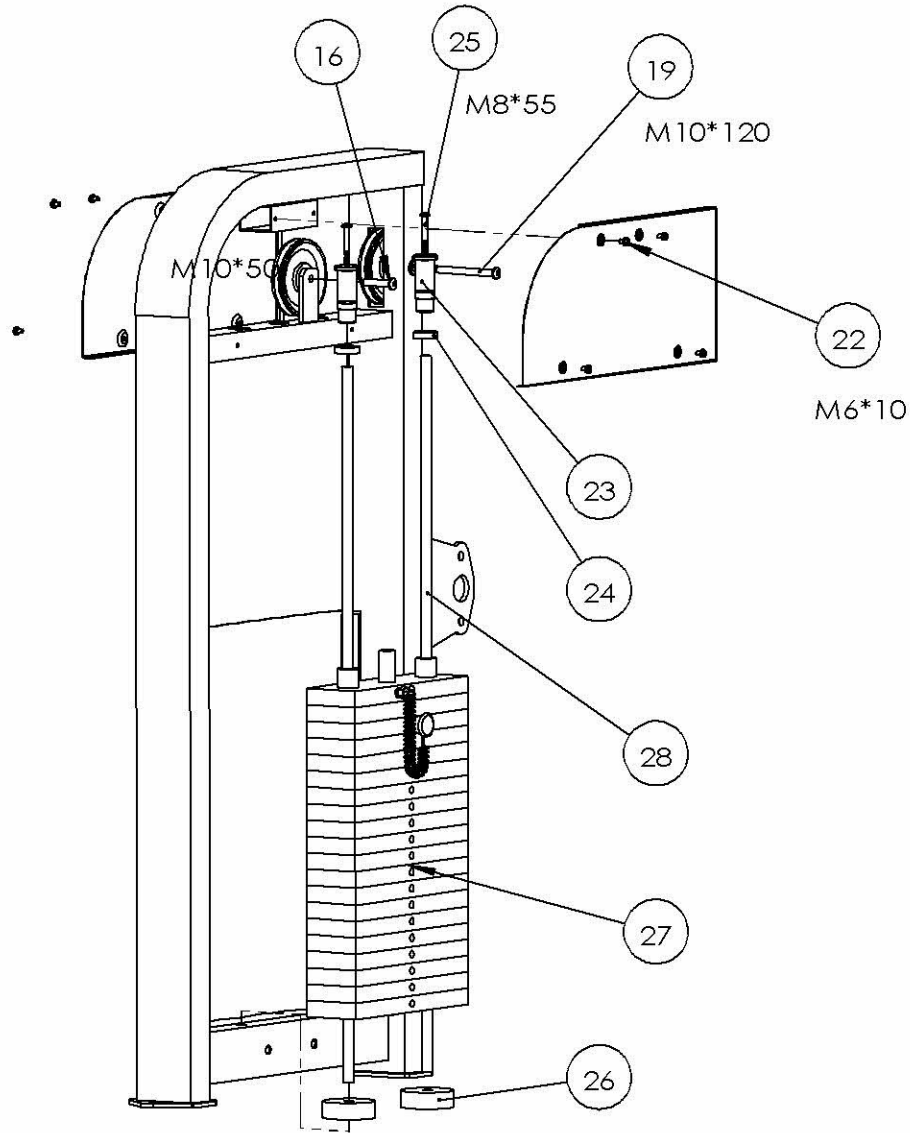
# Arm Frame Assemble



# Side Frame Assemble



# Main Frame Assemble

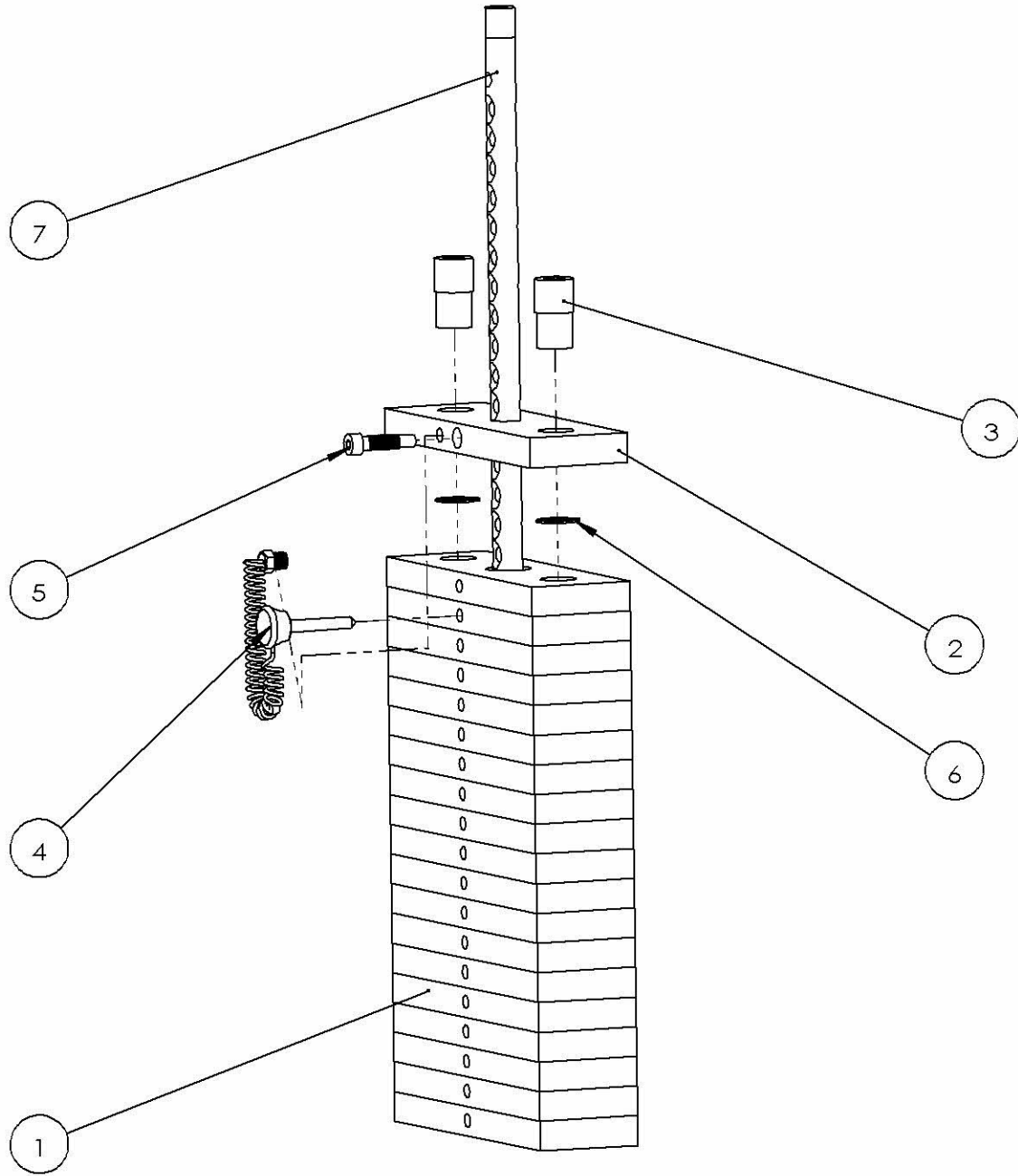


ITME NO.	Description	QTY
10	Rectangle Shoe, 40x80	2
11	Ø114MM Pulley	2
12	Right Edgings	1
14	Acrylic Board	1

ITME NO.	Description	QTY
15	Left Edgings	1
16	Screw, M10X50	1
17	Nut, M10	2
18	Bushing, 20*16*10*37	2
19	Screw, M10x120	1

ITME NO.	Description	QTY
20	Placard	1
21	Placard	1
22	Screw, M6X10	8
23	Guide Rod Sleeve	2
24	Guide Rod Sleeve Nut	2
25	Screw, M8X55	2
26	Counter Weight Cushion	2
27	Assy, Weight Plate	1
28	Guide Rod, 1.09M	2

# Weight Stack Assembly



项目号	零件号	说明	数量
1	配重片	Underside Weight Plate	19
2	上片	Top Weight Plate	1
3	导杆套1	Guide Rod Sleeve	2
4	配重插销	Adjustable Bolt	1
5	上片螺丝	Standing Bolt for The Top Weight Plate	1
6	30卡簧	φ 30 Shaft Clip	2
7	20孔插杆		1